



VHM/ECLKA-W

Article number: 79674

Weatherproof Housing (330mm) w. Heater, Thermostat, CBD, RAL9016/7035, 230VAC

Mainfeatures

Camera weather protection

Fold-down housing body

Insulated camera mounting

3 cable entries M16x1.5mm

Window glass with "Clear-Shield" technology

Protection rating: IP66

Housing body length: 330mm

4 levels of camera height adjustment

Integrated connection board

PTC window heater 100-265V included

Incorporated carrier handle

Housing colour: RAL9016/RAL7035

Specifications

Series	eneo VHM
Supply voltage	100~240VAC
Blower	no
Housing	outdoor
Housing material	aluminium
Colour (housing)	RAL9016, RAL7035
Protection rating	IP66
Dimensions (HxWxD)	see drawing
Weight	2.8kg
Parts supplied	Screw set, Thermostat switch, Screw terminal
Sunshield	yes
Integrated wall mount	no





VHM/ECLKA-W

Specifications continued

Hidden cable management	optional
Window heater	yes
Clear Shield	yes
Wiper	no
Maximum installation length	330 mm
Housing size	medium

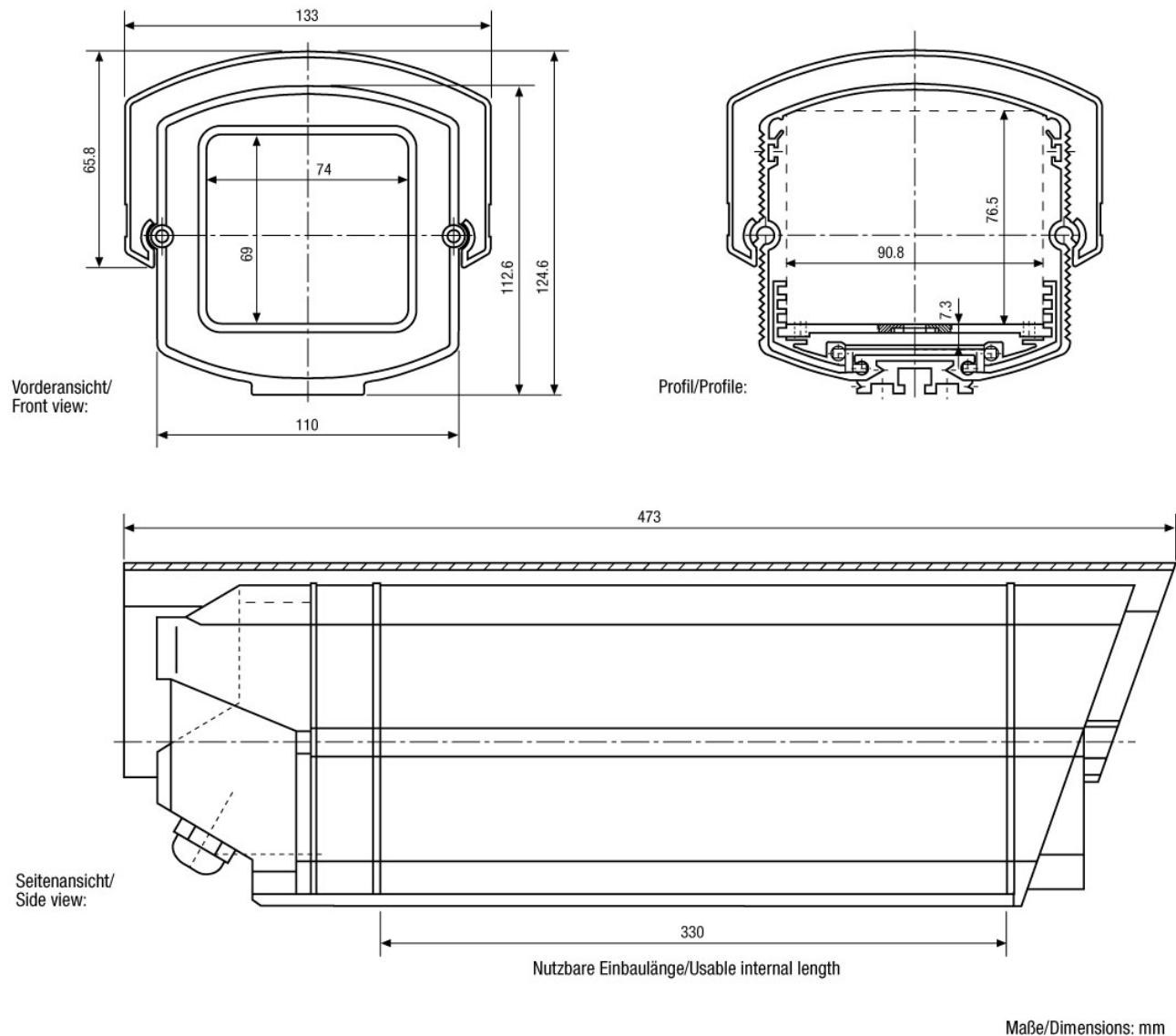
VHM/ECLKA-W

Available Accessories

Bild	Art. Nr. / Bezeichnung	Beschreibung
	70457 / AK-3	Camera Connection box, 230VAC Input, 24VAC-3.2A, 12VDC-1A Outputs
	73177 / WD-16/MK-W	Wall Mount with Swivel Head for VHM Weatherproof Housings, RAL9016
	79423 / NE-112/2	Power Supply Unit 230VAC/12VDC (600mA), Regulated, 24VAC (1000mA) f. VHM Housing
	79696 / VHM/PC-1-LG	Plug-in shield for VHM/EC&ST Housing Series, 330mm, RAL7035

VHM/ECLKA-W

Technical Drawing



Your Contact Person



TechWare Finland Oy
Koivupuistontie 26
01510 Vantaa
FI
Tel.: +358(0) 20 720 9650
E-Mail: info@techware.fi
Web: www.techware.fi