



EDC-IDFSW

Article number: 74154

Flush Mount Dome Housing, White Trimring Smoked Bubble 6.8"

Mainfeatures

In-ceiling mount housing for ceiling tile assy.

For dome cameras of Fastrax Series I - III

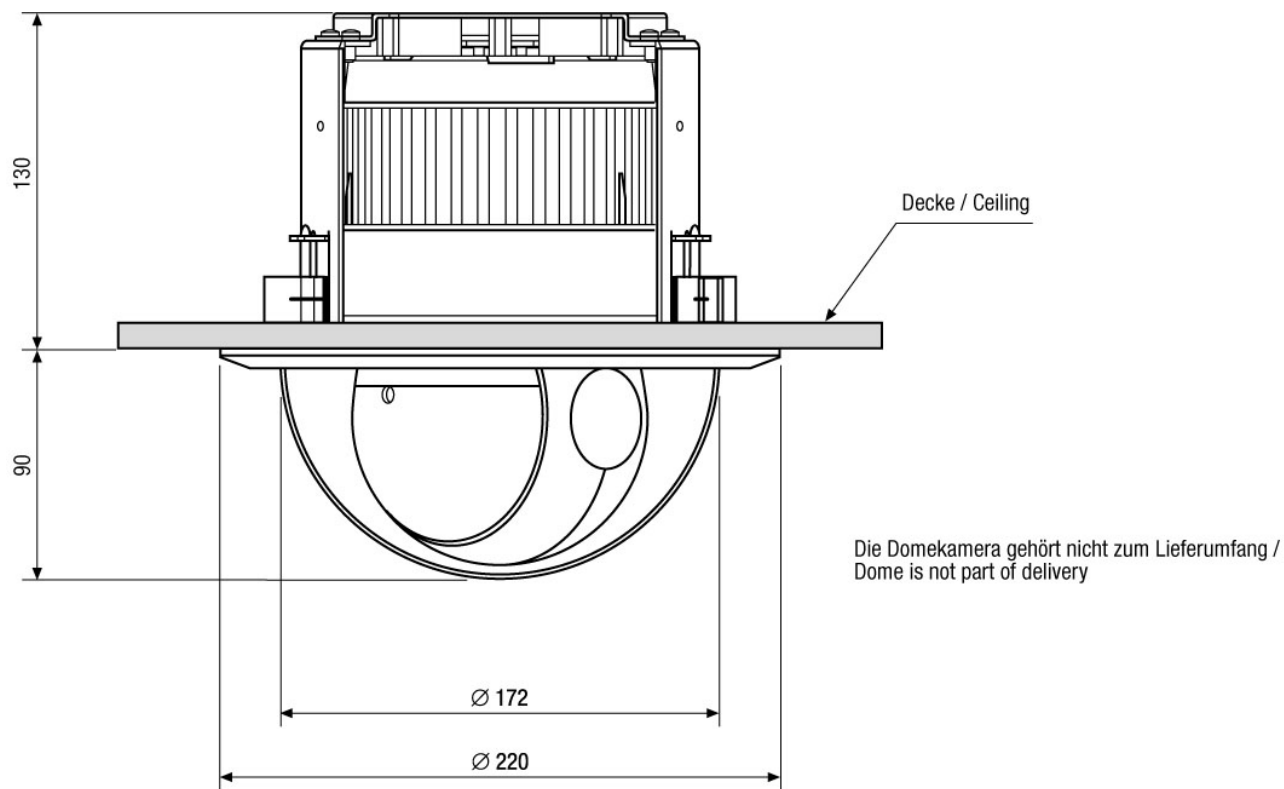
6.8" (172mm) smoked bubble

Specifications

Heater	no
Mounting	housing assy
Vandalism resistant	no
Housing	indoor
Housing material	aluminium
Colour (housing)	black
Colour (bubble)	tinted
Protection rating	n/a
Weight	approx. 300g
Parts supplied	Flush mount housing, Trimring, 6.8" tinted camera bubble
Camera fixing	dome

EDC-IDFSW

Technical Drawing



Maße/Dimensions: mm

Your Contact Person



TechWare Finland Oy
Koivupuistontie 26
01510 Vantaa
FI
Tel.: +358(0) 20 720 9650
E-Mail: info@techware.fi
Web: www.techware.fi