



EDC-OPS-2/24V

Article number: 74136

Pendant Mount Outdoor Dome Housing with Sunshield, Tinted Bubble 6.5", 24VAC

Mainfeatures

Outdoor housing for Fastrax I - III dome cameras

Prepared for wall and ceiling mounting

Supply voltage: 24VAC/50-60Hz

Option: Wall and ceiling mount brackets, power box

Tinted bubble 6.5" (165mm)

Sunshield, heater and blower kit included

Protection rating: IP66







Option: Connection cable #74143 & #74144

Specifications

Heater	yes
Power consumption	approx. 75W for heater, blower and incl. dome camera
Mounting	wall or ceiling pendant mount
Temperature range (operation)	-45°C ~ +50°C
Housing	outdoor
Housing material	aluminium
Colour (housing)	Pantone Cool Gray 1C
Colour (bubble)	tinted
Protection rating	IP66
Weight	3,6kg
Bubble	165mm (6.5"), tinted acrylic plastic
Camera fixing	dome

EDC-OPS-2/24V

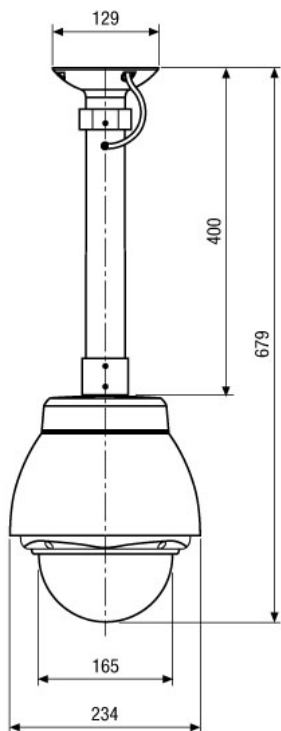
Available Accessories

Bild	Art. Nr. / Bezeichnung	Beschreibung
	70449 / NE-128	Voltage supply unit 230V/24VAC-5A, IP66
	74125 / EDC-AKS1	Power&Connection Box with Mounting Bracket for In/Outdoor, 230V-24VAC/3.0A
	74127 / EDC-WMB1	Wall Mount for EDC(H) Dome Cameras with Mounting Kit
	74128 / EDC-CMT1	Ceiling Mount Tube with Flange Plate for EDC(H) _ EDMC/E Cameras with Mounting Kit
	74140 / EDC-RTB2	Pole & Roof Mount Bracket for Fastrax 2 outdoor Housings & EDCH
	74143 / EDC-OPX/IPX-CC1	Connection cable for EDC-xxx-2 Fastrax ,Standard Domes in In/Outdoor Housing

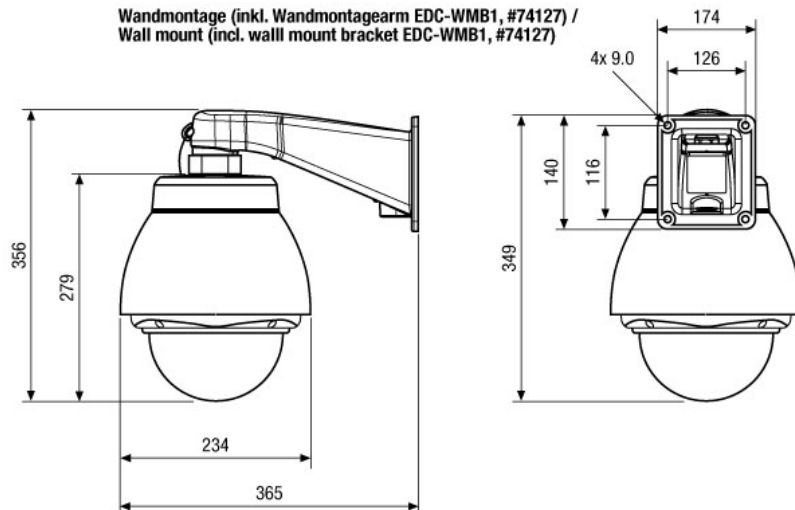
EDC-OPS-2/24V

Technical Drawing

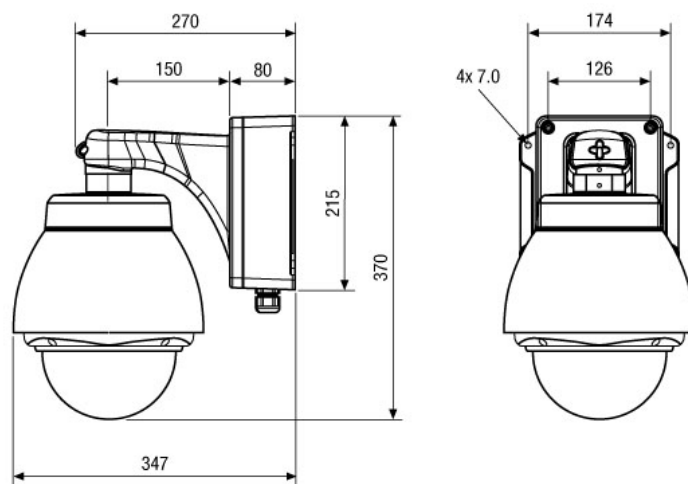
Deckenmontage (inkl. Deckenmontagerohr EDC-CMT1, #74128) /
Ceiling mount (incl. ceiling mount tube with flange plate EDC-CMT1, #74128)



Wandmontage (inkl. Wandmontagearm EDC-WMB1, #74127) /
Wall mount (incl. wall mount bracket EDC-WMB1, #74127)



Wandmontage (inkl. Anschlussbox mit Netzgerät und Montagearm EDC-AKS-1, #74125) /
Wall mount (incl. power & connection box with mounting bracket EDC-AKS-1, #74125)



Der Wandmontagearm, die Deckenhalterung und die Anschlussbox mit Netzgerät sind im Lieferumfang des Domegehäuses nicht enthalten.
Wall bracket, ceiling tube and power & connection box are not included with the dome camera housing.

Maße / Dimensions: mm

Your Contact Person



TechWare Finland Oy
Koivupuistontie 26
01510 Vantaa
FI
Tel.: +358(0) 20 720 9650
E-Mail: info@techware.fi
Web: www.techware.fi