

EDC-CMA2

Article number: 74054

Corner Mount Adapter for EDC-IPx1/OPx1 Housings
and Wall Bracket EDC/WMB1

Mainfeatures

For corner mounting

Rugged aluminium construction

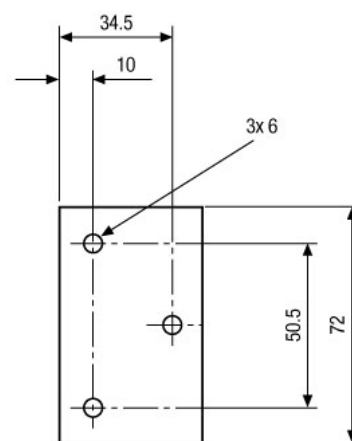
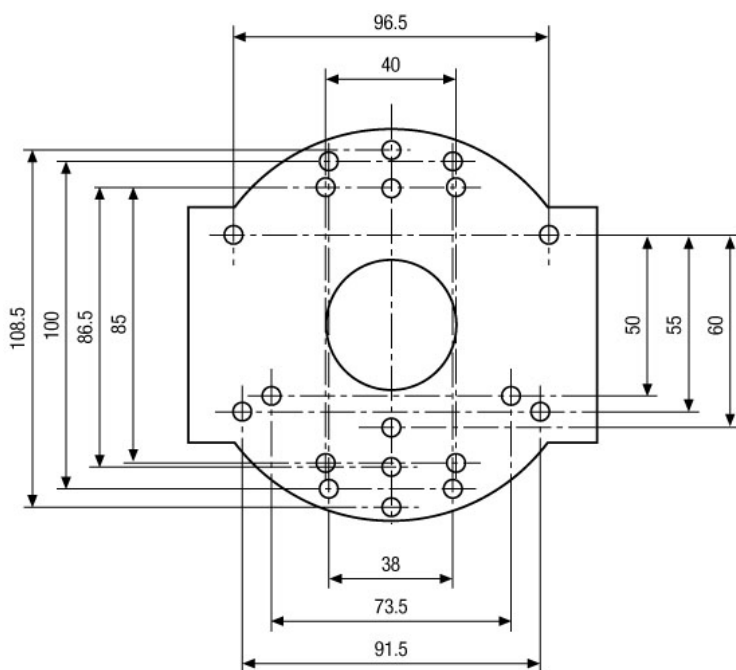
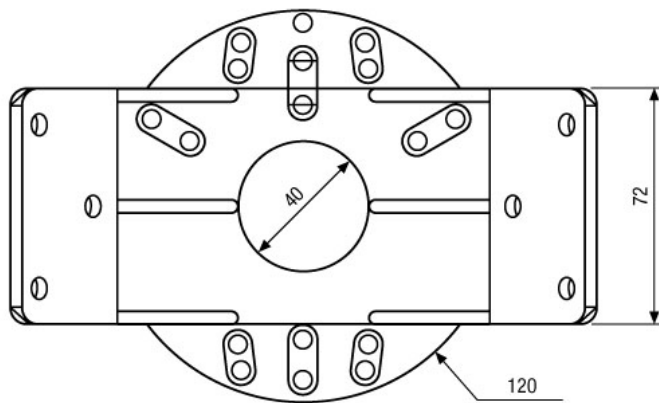
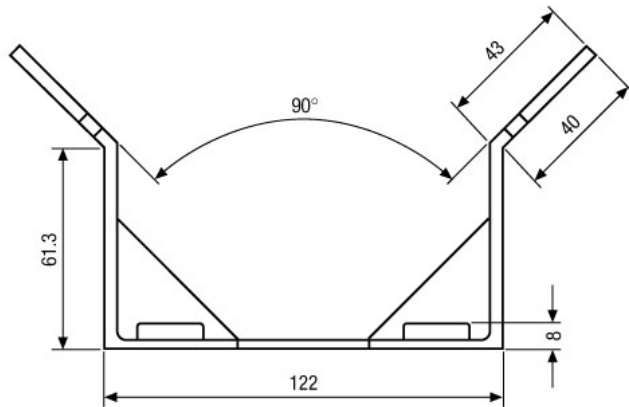
Ready for installation

Preferable for wall brackets EDC-WMB

Colour: Pantone Cool Gray 1C

EDC-CMA2

Technical Drawing



Maße/Dimensions: mm

Your Contact Person



TechWare Finland Oy
Koivupuistontie 26
01510 Vantaa
FI
Tel.: +358(0) 20 720 9650
E-Mail: info@techware.fi
Web: www.techware.fi