

PTH300

OUTDOOR P&T MOTOR



IP66



PTH300

DESCRIPTION

Pan & Tilt PTH300 is obtained through solid pressure casting of painted aluminium with epoxy powder.

Pan & Tilt can rotate horizontally at a speed of 6°/s (maximum tour of 330°) and vertically at a speed of 3°/s (maximum tour of 360°). The autopan function can be used for limited periods of time.

The PTH300P version avails of potentiometers to save the various preset positions by the control unit.

MAIN FEATURES

Constructed from corrosion-proof aluminium

For loads up to 12kg(26lb) balanced

IP66

Optional preset

Standard autopan function

24Vac and 230Vac, 50/60Hz versions

Internally adjustable horizontal and vertical limit switches

Horizontal fixed speed 6°/s, vertical fixed speed 3°/s

Not compatible with HGV

TECHNICAL DATA

GENERAL

Constructed from corrosion-proof aluminium
Epoxypolyester powder painting, RAL9002 colour
Stainless steel external screws
Normal or overturned assembly position
Supplied with a bracket for the housing support and accessories for assembly
Autopan function for a limited period of time
Manually adjustable vertical and horizontal limit switches

MECHANICAL

Dimensions: 144x161x180mm (5.6x6.3x7in) (without bracket)
Load rating: 12kg (26.5lb) max (balanced)
Horizontal rotation: from 0° up to 330°
Constant horizontal speed: 6°/s
Vertical rotation: from 0° up to 360°
Constant vertical speed: 3°/s
Accuracy of preset positions:

- Pan: 0.17°
- Tilt: 0.07°

Cable glands:

- PTH300: 1 PG11 cable gland
- PTH300P: 2 PG11 cable glands

Unit weight: 3.7kg (8lb)

ELECTRICAL

Supply voltage/Current consumption:

- 230Vac, 65mA, 50/60Hz
- 24Vac, 620mA, 50/60Hz

Potentiometer (only PTH300P): 5kΩ, multiple rotation (10 turns, max 1 million shaft rotations)

ENVIRONMENT

For installation indoors and outdoors
Operating temperature: from -20°C (-4°F) up to +50°C (122°F)

CERTIFICATIONS

Electrical safety (CE): EN60065
Electromagnetic compatibility (CE): EN50130-4, EN61000-6-3
IP protection degree: EN60529 (IP66)
EAC certification
Salty fog resistance: to 1000 hours (ISO9227)

RELATED PRODUCTS

DTMRX2	Telemetry receiver 12 functions, 230Vac
DTMRX224	Telemetry receiver 12 functions, 24Vac
DTRX3	Telemetry receiver 17 functions, 230Vac
DTRX324	Telemetry receiver 17 functions, 24Vac
Housings	PUNTO, HEB, HEK, HOV, VERSO, VERSO COMPACT

BRACKETS AND ADAPTORS

PTAC	Wall bracket for PTH300 series
WFWBTA	Column bracket for PTH P&T series

SPARE PARTS

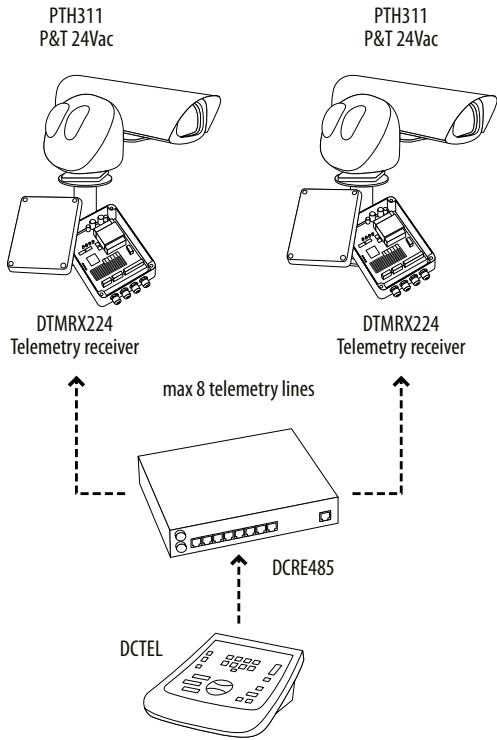
OPTH3MAN	Maintenance kit
DOTPTH300	Installation kit for P&T PTH300

PACKAGE

Model Number	Weight	Dimensions (WxHxL)	Master carton
PTH310	4.1kg (9lb)	17.5x27x23cm (7x11x9in)	6

AVAILABLE MODELS

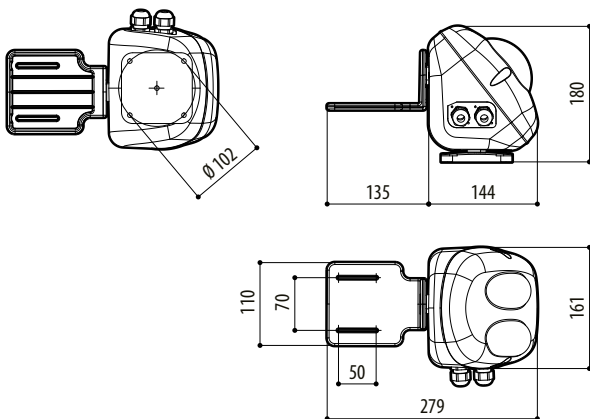
Model Number	Power supply	Autopan	Preset	Consumption max
PTH310	230Vac	✓	–	14W
PTH311	24Vac	✓	–	14W
PTH310P	230Vac	✓	✓	14W
PTH311P	24Vac	✓	✓	14W



---> Twisted pair RS485 (max distance 1200m / 3937ft) telemetry only

TECHNICAL DRAWINGS

The dimensions of the drawings are in millimetres.



PTH300P