



VM-22PD

Article number: 212467

21,5" (54,6cm) LCD/TFT Monitor Full HD, 1920x1080, LED, 3D-Comb Filter, HDMI, VGA

Mainfeatures

Professional LCD/TFT monitor

PAL/NTSC auto selection

3D comb filter/ Anti Burn-in technology

1xCVBS,HDMI,RGB and audio input

Integrated loudspeakers

Robust and compact plastic cabinet

Built to run 24/7/365 continuously

Multi-lingual on-screen menu driven setup

Resolution of 1920x1080 px. (Full HD)

Quick signal switching (0,8sec.)

Supply voltage: 12VDC

Table stand included

Specifications

Resolution	1920x1080 (16:9)
Audio inputs	1
Audio outputs	Stereo (RCA)
Menu languages	English, German, Russian, French, Spanish, Dutch, Chinese
Supply voltage	12VDC
Housing material	plastic
Colour (housing)	black
Resolution pixels	1920x1080
Mount	VESA standard 100x100mm
Video standard	PAL/NTSC
Video outputs	FBAS
Backlighting	LED

VM-22PD

Specifications continued




Screen size	21.5"
Screen Size (cm)	54.6 cm
Seitenverhältnis	16:9
Comb filter	yes
Comb filter	3D comb filter with de-interlace
Contrast ratio typical	2,000,000:1 (DCR)
Brightness typical	250 cd/m ²
Viewing angle vertical	160 °
Viewing angle horizontal	170 °
Response time typical	5 ms
Video inputs (type)	CVBS, VGA, HDMI
Loudspeaker	2
Power consumption	30W
Temperature range (operation)	+5°C ~ +35°C
Dimensions (HxWxD)	377x511x183mm
Weight	3.2kg
Certificates	CE
Parts supplied	manual, VGA cable, power cord, PSU 100~240VAC

Special features

Anti-Burn-in Technology

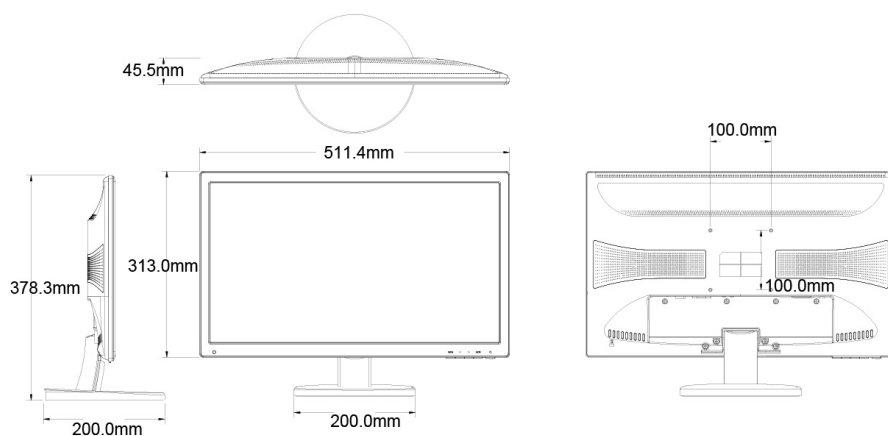
VM-22PD

Available Accessories

Bild	Art. Nr. / Bezeichnung	Beschreibung
" data-bbox="108 181 201 201"/>	90394 / VMC-LCD/WCMB-1	Wall/Ceiling Bracket for LCD Monitors 15"/17"/19" P/CP/CM/HPC/HMC1 Series
	90468 / VMC-LCD/WMB-4	Wall Bracket for LCD Monitors up to 23", Pan and Tilttable
	208865 / VMC-LCD/WMB-2	Wall Bracket for TFT/LCD Monitors, straight, VESA
	208870 / VMC-LCD/CMB-3	Ceiling Mount Bracket for TFT/LCD Monitors, 15" up to 37", VESA

VM-22PD

Technical Drawing



Your Contact Person



eneo is a registered trademark of
VIDEOR E. Hartig GmbH
Carl-Zeiss-Straße 8
63322 Rödermark
Deutschland
Tel.: +49 6074-888-333
E-Mail: info@eneo-security.com
Web: www.eneo-security.com