

HDA-3000E

Article number: 211257

HD Extender, HD-SDI, EX-SDI, 12V

Mainfeatures

HD Extender, signal transmission via RG59 cable

EX-SDI signal format (270Mbps), HD-SDI (1.485Bbps)

Test Pattern Generator (HD-SDI/SDI signal EX) for cable testing

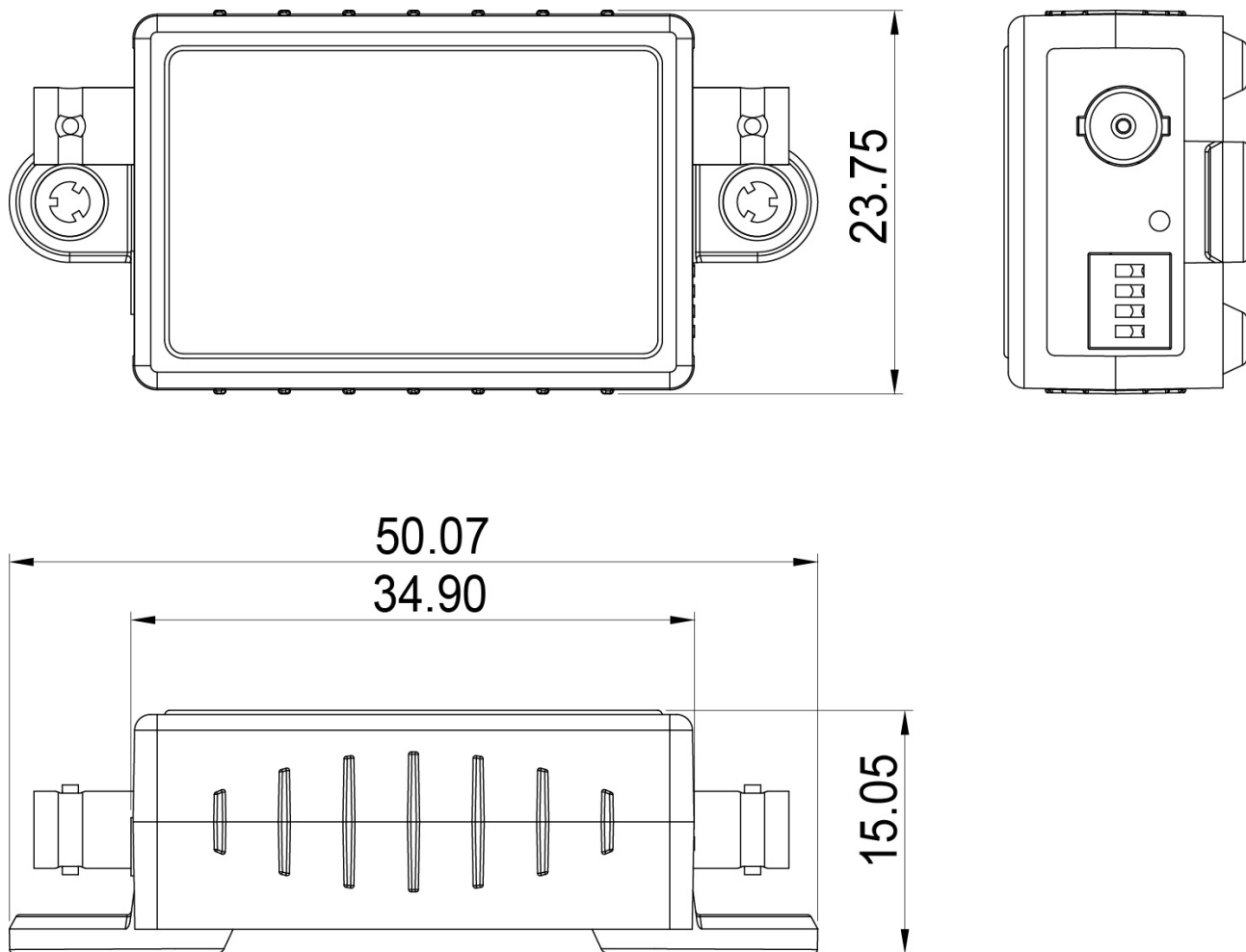
Up to 5 HDA-3000E in serial configuration

Specifications

Series	eneo HDcctv
Supply voltage	12VDC
Power consumption	0.75W
Dimensions (HxWxD)	15x50x24mm
Weight	100g
Video outputs	1x BNC

HDA-3000E

Technical Drawing



Dimensions: mm

Your Contact Person



TechWare Finland Oy
Koivupuistontie 26
01510 Vantaa
FI
Tel.: +358(0) 20 720 9650
E-Mail: info@techware.fi
Web: www.techware.fi