

## PEC-CMA1

Article number: 210750

Corner Mount EDC-WMB1, PLD-WMB1, PLD-WMB2

### Mainfeatures

For corner mounting of

Rugged steel construction

Power coated varnished: RAL9001

EDC-WMB1, PLD-WMB1, PLD-WMB2

Surface pre-treatment for rust protection

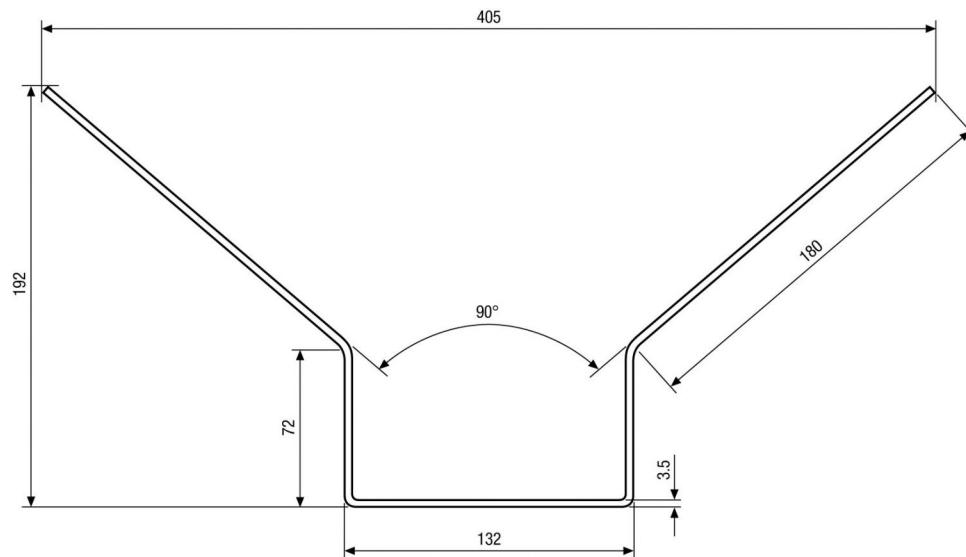
Ready for installation

### Specifications

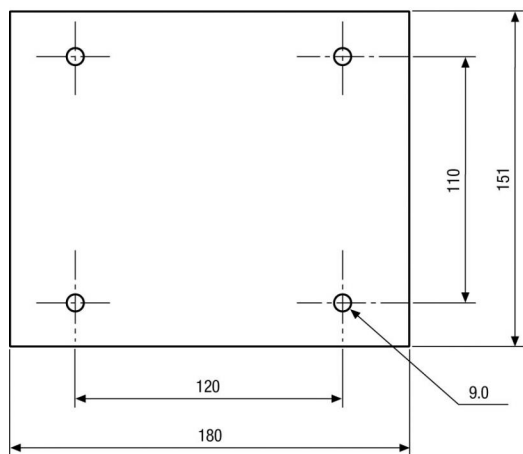
Dimensions (HxWxD)	151x405x192mm
--------------------	---------------

# PEC-CMA1

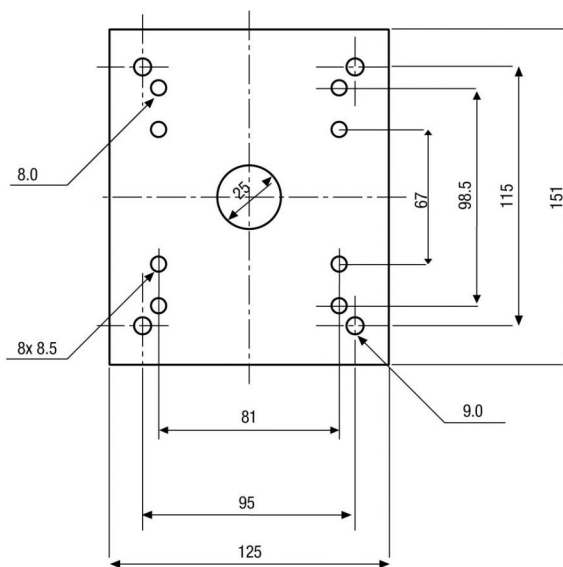
## Technical Drawing



Schenkelansicht / side view



Frontansicht - Montageplatte / Front view - mounting plate



Maße/Dimensions: mm

## Your Contact Person



TechWare Finland Oy  
Koivupuistontie 26  
01510 Vantaa  
FI  
Tel.: +358(0) 20 720 9650  
E-Mail: info@techware.fi  
Web: www.techware.fi