

FTD100-XXR3

3 Independent Optical Channels 8-bit Digital Video Receiver



Features

Video

- ▶ NTSC or PAL video standards supported
- ▶ Non-compressed 8-bit digitally encoded video
- ▶ 3 independent channel receiver in one module
- ▶ No video degradation over the maximum operating distance

Optical

- ▶ Three independent fiber inputs
- ▶ High performance laser-based optics
- ▶ Multimode or Singlemode
- ▶ ST or FC connectors available

Robust Design

- ▶ Plug-and-Play design, no in-field adjustments required.
- ▶ Hot-swappable design
- ▶ Wide operating temperature range of -40°C to +75°C
- ▶ Designed for use in harsh environments

Warranty

- ▶ Comprehensive Lifetime Warranty

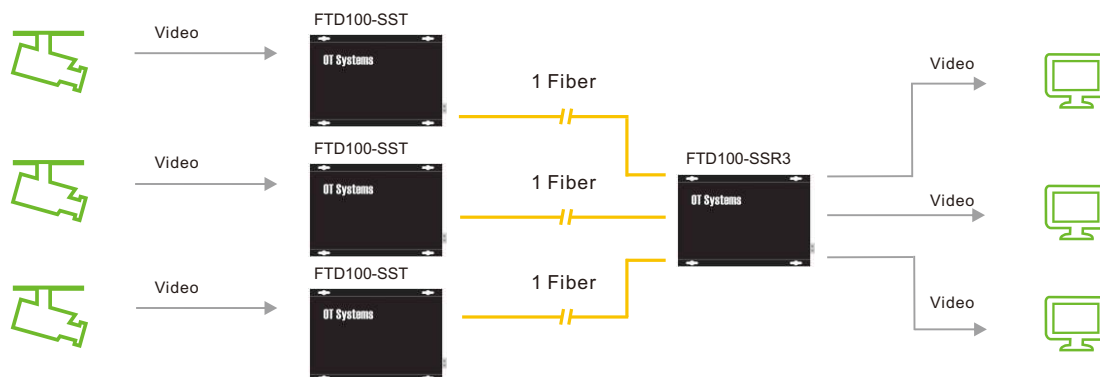
Description

The 8-Bit Digital Video transmission series' FTD100-XXR3 3-channel video fiber receivers feature high-performance laser-based optics for the clearest, most reliable data transmission over one fiber for both single and multi-mode with no video degradation over the entire operating distance (up to 20km).

Supporting 3 independent channels of 8-bit PCM digital video, this plug-and-play product provides instant product compatibility for most major security manufacturers' equipment and reliability in harsh environments, a perfect complement to any commercial, government or intelligent transportation application. The product features in card module or standalone type.

These units are compatible with the FTD100Micro and FTD100 transmitters.

Typical Application



Specifications

Video

| | |
|--------------------|-----------------------------------|
| Number of Channels | 3 (from independent Transmitters) |
| Format | NTSC/PAL/SECAM |
| Input/Output | 1 Volt pk-pk (75 ohms) |
| Bandwidth | >=6MHz |
| Differential Gain | <1% Typical |
| Differential Phase | <1 Degree Typical |
| SNR-CCIR weighted | >60dB |

LED

| | |
|------------------------------------|-----------------|
| Video Signal Indication (Presence) | Green LED lit |
| Optical Carrier Detected | Yellow / Active |
| Power | Red / On |

Connectors

| | |
|------------------------|------------------------------|
| Video Output | BNC |
| Optical Input / Output | ST (standard), FC (optional) |
| Power (Standalone) | 2-pin screw terminal |
| Power (Rack-Mount) | Bus connector |

Electrical and Mechanical

| | |
|--------------------------------|-------------------------|
| Power (Standalone) | 12VDC @ 6W |
| Power (Rack Mount) | From FT-C18 Chassis |
| Dimensions(WxHxD) (Standalone) | 156 x 30.5 x 223mm(Max) |
| Dimensions(WxHxD) (Rack Mount) | 148 x 20.4 x 213mm(Max) |
| Shipping Weight (Standalone) | 0.68kg |
| Shipping Weight (Rack Mount) | 0.22kg |

Environmental

| | |
|-------------------|-------------------------|
| Operating Temp | -40°C to +75°C |
| Storage Temp | -40°C to +85°C |
| Relative Humidity | 0 to 95% non-condensing |
| MTBF | > 100,000 hours |

Video Transmission

Ordering Information

| Fiber Type | Part Number | Description | Wavelengths (nm) | Optical Power Budget (dB) | Max. Distance (Km) | No. of slots |
|-------------------------|--------------------|---|------------------|---------------------------|--------------------|--------------|
| Multi-mode (62.5/125µm) | FTD100-SMR3 | 3 Independent Optical Channels 8-Bit Digital Video Receiver | 1310 | 23 | 4 | 1 |
| Single-mode (9/125µm) | FTD100-SSR3 | 3 Independent Optical Channels 8-Bit Digital Video Receiver | 1310 | 17 | 20 | 1 |

| | |
|--------------------|---|
| Options | <ul style="list-style-type: none"> ST type connector is standard. For FC type, specify "F" in the suffix. E.g. FMR3 For Standalone Type, please add "SA". E.g. SMR3SA Please feel free to consult factory if longer transmission distance is required. |
| Power Adaptor | <ul style="list-style-type: none"> Power adaptor included for standalone type only. |
| Rack Mount Chassis | <ul style="list-style-type: none"> FT-C18 is to be purchased separately. Please refer to accessories section for the details. |

- Notes:
- Transmission distance will suffer if additional losses are introduced by the optical connectors, fusions, splices and the fibers within the network.
 - Operating distance of multimode is limited by the characteristics of the fiber bandwidth.
 - Power adaptor is manufactured by third party and is supplied with fitted screw - terminal output cables.
 - Please feel free to consult factory for any special requirement and customization.



OT Systems Ltd., November 2013

Due to continuous improvement, all product specifications are subject to change without further notice.