



DOME-WB1

Article number: 202642

Wall Bracket, Callisto Dome Line

Mainfeatures

Wall bracket for eneo Callisto dome line

Specifications

Series	eneo Callisto
Dimensions (HxWxD)	183x80x252,6
Weight	1.05kg

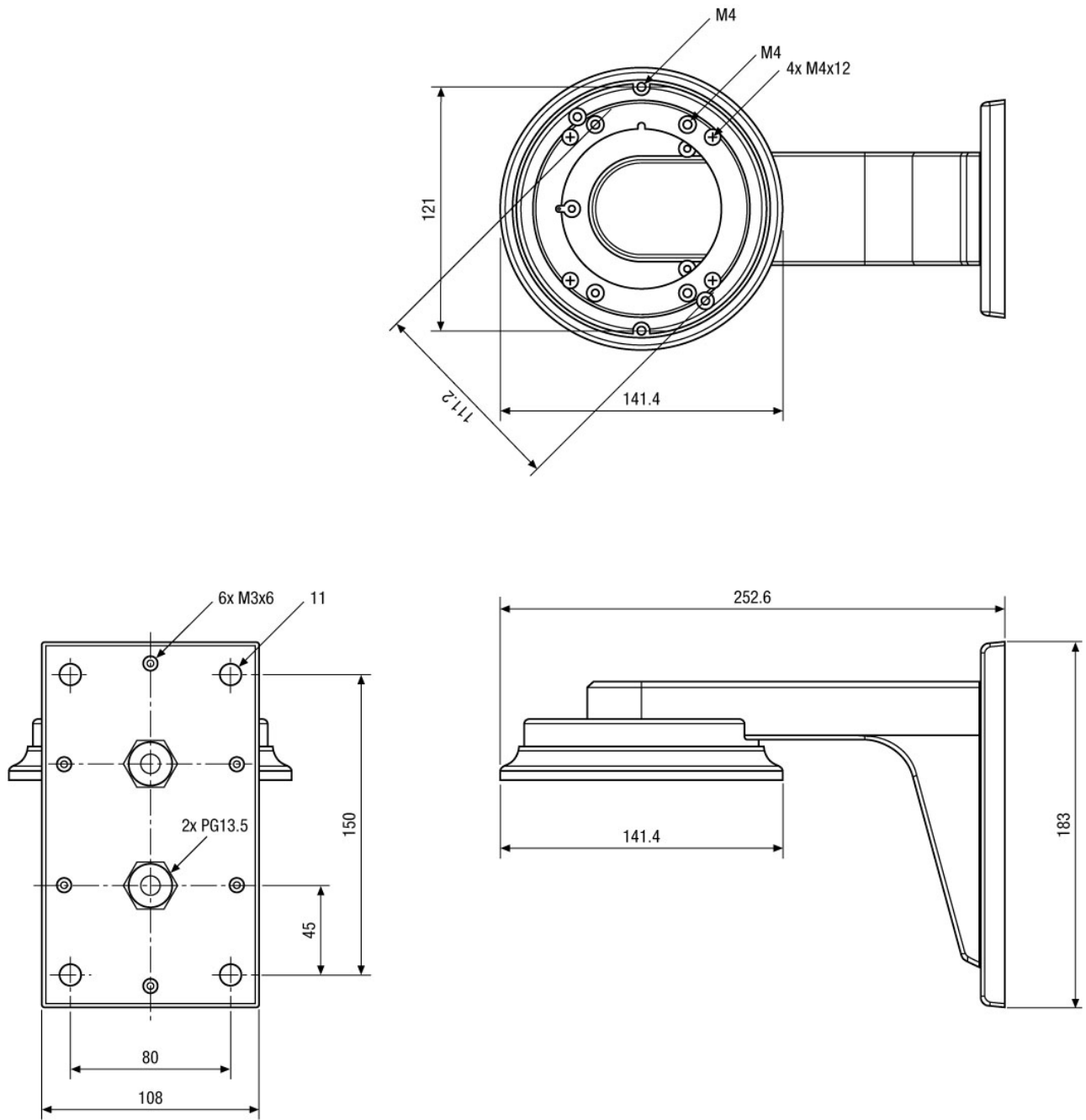
DOME-WB1

Available Accessories

Bild	Art. Nr. / Bezeichnung	Beschreibung
	202641 / PM-42A	Pole mount adaptor for eneo Candid, Candid S, Candid M Candid L, W3, WB1 wall mount

DOME-WB1

Technical Drawing



Maße/Dimensions: mm

Your Contact Person



TechWare Finland Oy
Koivupuistontie 26
01510 Vantaa
FI
Tel.: +358(0) 20 720 9650
E-Mail: info@techware.fi
Web: www.techware.fi